



Project Overview

KM High School Soccer Field
Improvements

Friends of KM Soccer

Project Goals



- Provide Facilities to assist with Developing the “Best Soccer Program” we can for all area soccer players and supporters.
- Make it easier for parents and fans to watch games during early evening hours verses right after school.
- Provide access to facility for area soccer clubs to play special games and tournament championship games.
- Provide low maintenance and a self-sufficient facility.
- Build our reputation: The cornerstone for KM Soccer is **superior sportsmanship and respect for the game.**

Description



Phase I completed - KM School District built the field.

Phase II

- ✦ Improve access to the fields for evening games.
- ✦ Make it easier for parents and supporters to attend games in the evenings.
- ✦ Improve field conditions to support WIAA tournament games.
- ✦ Provide safer game conditions for soccer players and referees.
- ✦ Current cost estimate is approximately \$200,000.00

Corporate Sponsorship



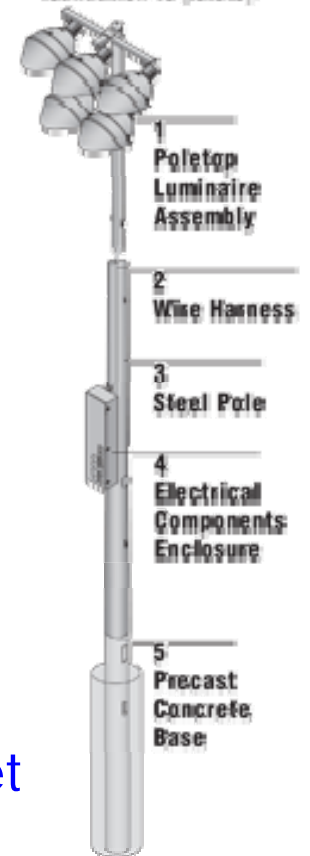
- ✦ Financial and or material support
 - Sponsorship levels:
 - Platinum \$ 20,000.00
 - Gold \$ 10,000.00
 - Silver \$ 5,000.00
 - Bronze \$ 2,500.00
 - Smaller donations are of course always welcomed and recognized
 - Sponsorships can also be made anonymously.
- ✦ Material and labor donations will also be appreciated and recognized as part of our sponsor monument.
- ✦ Sponsors Logos will be recognized on game day programs.
- ✦ Sponsors will also be recognized on a Bronzed monument at the entry point to the fields.

Labor and Materials Request for Lighting



- ✦ Cement for light footings and entry way
- ✦ 3" pipe for cable
- ✦ Copper cable for lights
- ✦ Survey help to locate lights.
- ✦ Trenching for cable way.
- ✦ Back fill and seeding
- ✦ Sound system for outdoor
- ✦ Project management help
- ✦ A "Big Rock" to recognize sponsors!
- ✦ Brass Plaques for light poles
- ✦ Lumber
- ✦ Carpentry help for Announcer booth and ticket booth.

5 Easy Pieces™
Designed and manufactured
as a complete system from
foundation to poletop



Current KM Support



- ✦ Kettle Moraine High School Booster Club
- ✦ KMMS Soccer Club
- ✦ Hal Bolk Printing
- ✦ Village of Wales
- ✦ MAGAW Electrical Contractors



Thank you



Finally, We thank you for your time to
listen to our plan and any support is
Greatly Appreciated!!!